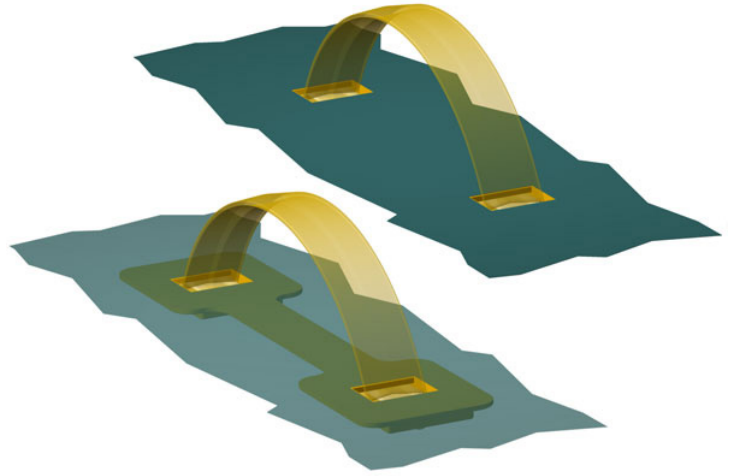
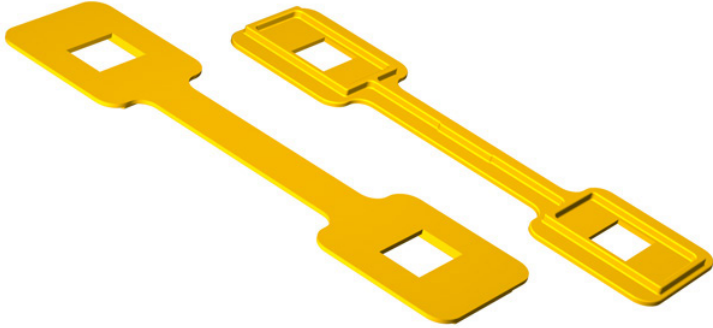


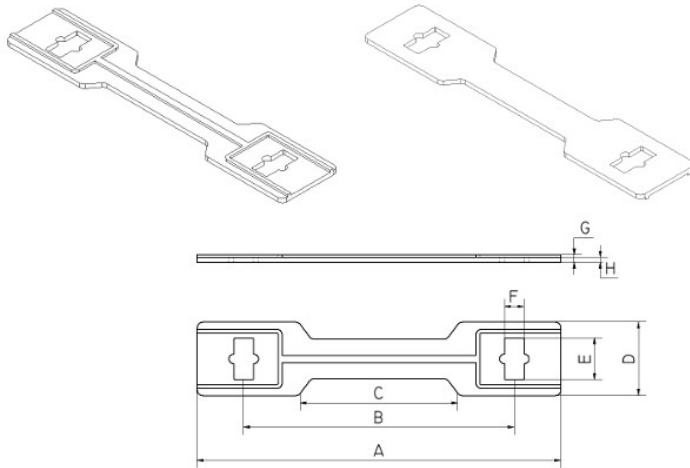
[Back to Index](#)

REINFORCING PLATE 882.1

max load [kg]:



882.1



product dimensions [mm]

A:	148	G:	2.7
B:	110	H:	1.9
C:	65		
D:	30		
E:	17		
F:	8		

[Back to Index](#)