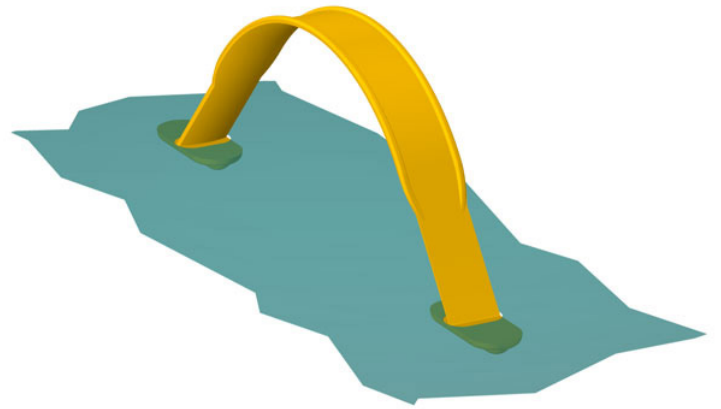
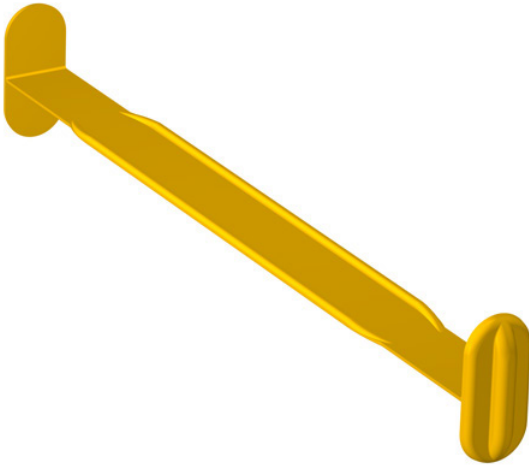


[Back to Index](#)

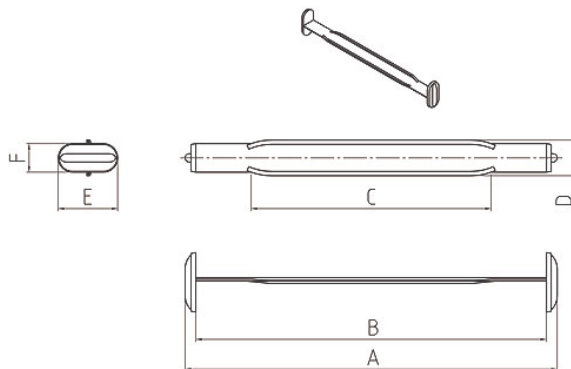
STANDARD HANDLE 175.0

max load [kg]:

12



175.0



product dimensions [mm]

- A: 156
- B: 147
- C: 100
- D: 12
- E: 25
- F: 12

hole dimensions [mm]



- A: 7
- B: 13
- C: 2
- D: 110



[Back to Index](#)